



SÖNMEZ TRAFÖ

### General Comparison for different constructional types:

#### Conservator Tank Design with corrugated tank

Gas detection is possible.  
Oil sampling is possible

Smaller overall dimensions compare to radiator type with conservator tank  
Non-detachable radiators ( in case of damage on fins all the oil will be leak)

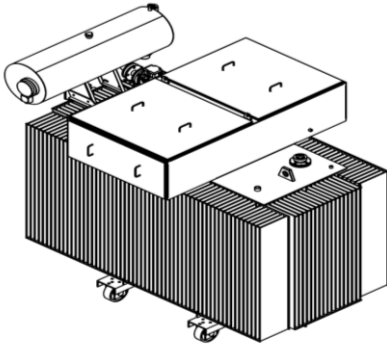
Shipment size can not be reduced since the radiators are not removable  
Requires silicagel change and maintenance activities.

Recommended size: <5 MVA

Oil Level, Oil Pressure Protection, Temperature protection

Additional protection: Buchholz relay for gas

Additional Option: Rubber Bag; which will make the unit sealed  
and will lead less maintenance activities.



#### Conservator Tank Design with de-attachable radiators

Gas detection is possible.  
Oil sampling is possible

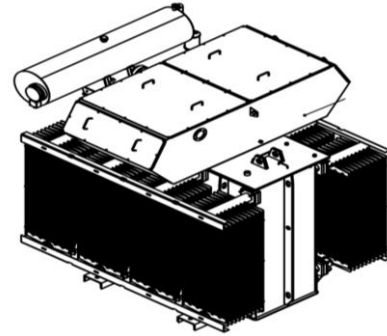
Mechanically more durable than other types.  
De-attachable radiators ( in case of damage at radiators, butterfly valves can be closed)

Shipment size can be reduced by removing the radiators.  
Requires silicagel change and maintenance activities.

Recommended size: All sizes

Oil Level, Oil Pressure Protection, Temperature protection

Additional protection: Buchholz relay for gas



#### Hermetically Sealed transformer with flexible fins

Gas detection is possible with hermetic relay.  
Oil sampling is not possible

Smaller overall dimensions compare to radiator type with conservator tank  
Non-detachable radiators ( in case of damage on fins all the oil will be leak)  
In case of gasket change or leakage unit should be carried to transformer service shop.  
No maintenance requires.

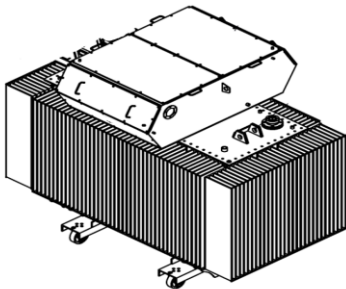
Less durable for shipment and mechanical impacts.

Shipment size can not be reduced since the radiators are not removable

Recommended size: <4 MVA

Additional protection: Hermetic relay

(with Gas, Temperature, Oil level Measurement)



#### N2 Gas cushion hermetically Sealed Transformers

Gas detection is not possible.  
Oil sampling is possible

Mechanically durability will be same as radiator type with conservator tank  
De-attachable radiators ( in case of damage at radiators, butterfly valves can be closed)  
Shipment size can be reduced by removing the radiators.  
Requires less maintenance activities compare to conservator tank.

Recommended size: Up to 20 MVA

Oil Level, Oil Pressure Protection, Temperature protection

Additional protection: Vacuum Pressure gauge

